


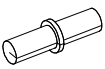


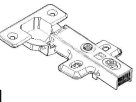
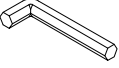

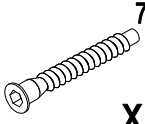

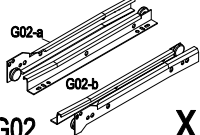
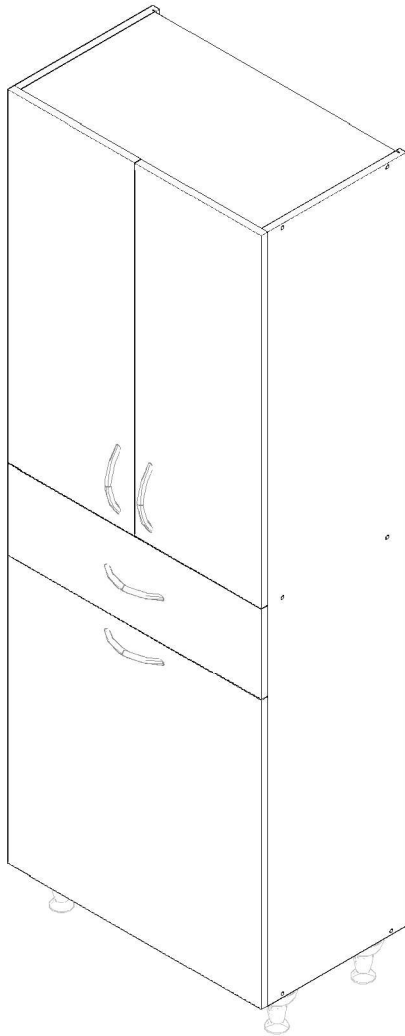
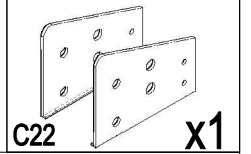
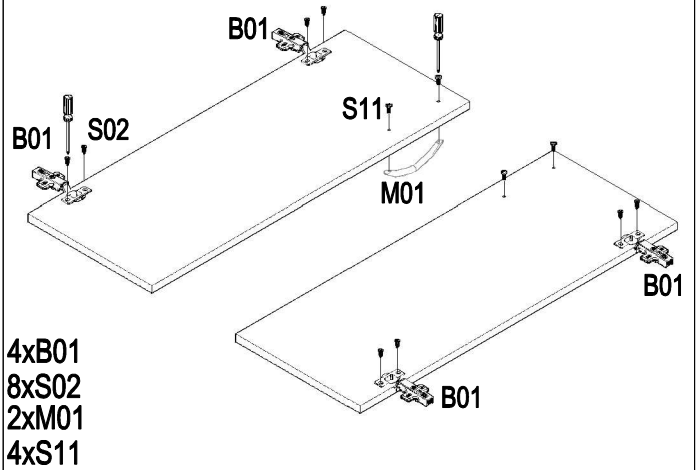


NR. 92

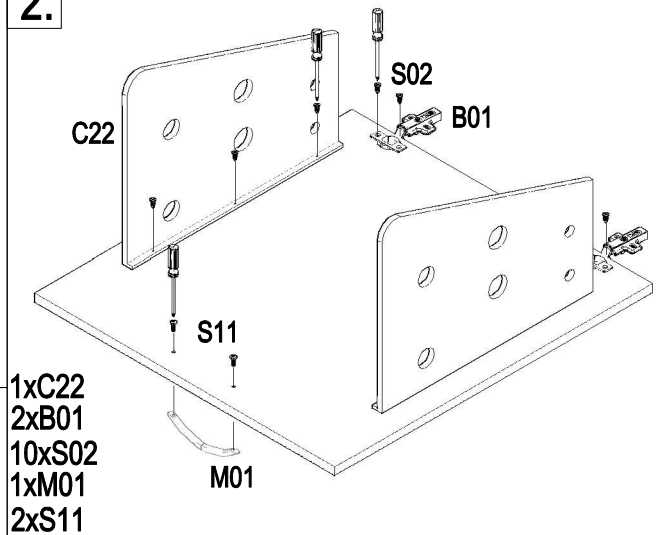
 S02	3.5x16 x65	 S11	M4x22 x8	 C01	x19	 S21	x10	 C10	x4	 C11	x4
 B01	x6	 D01	x1	 M01	x4	 S01	7x50 x14	 P01	x4	 G02-a	x1



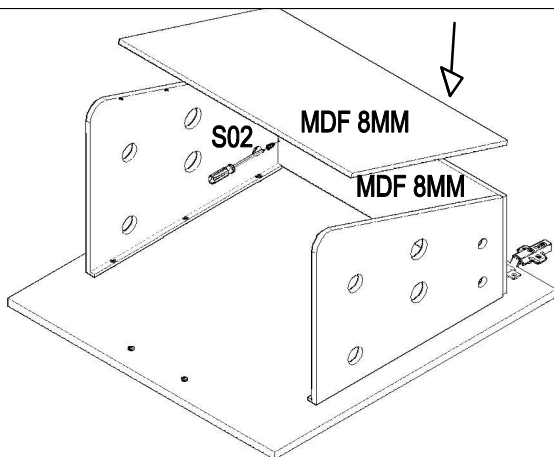
1.

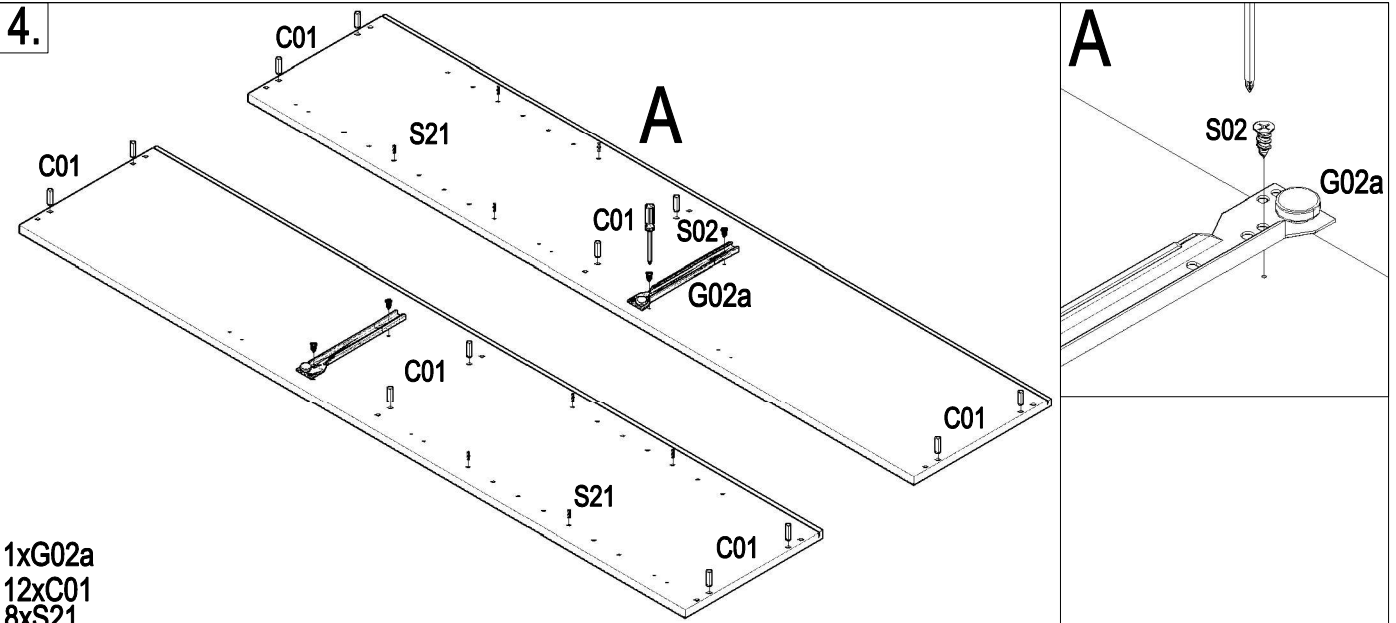


2.

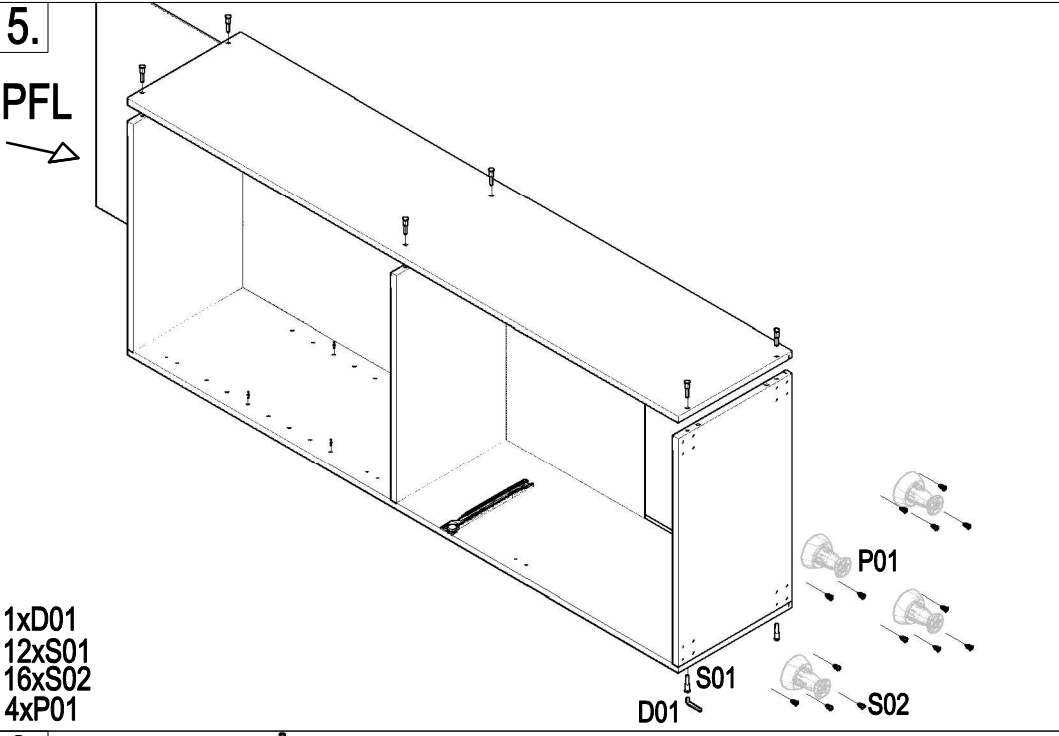


3.

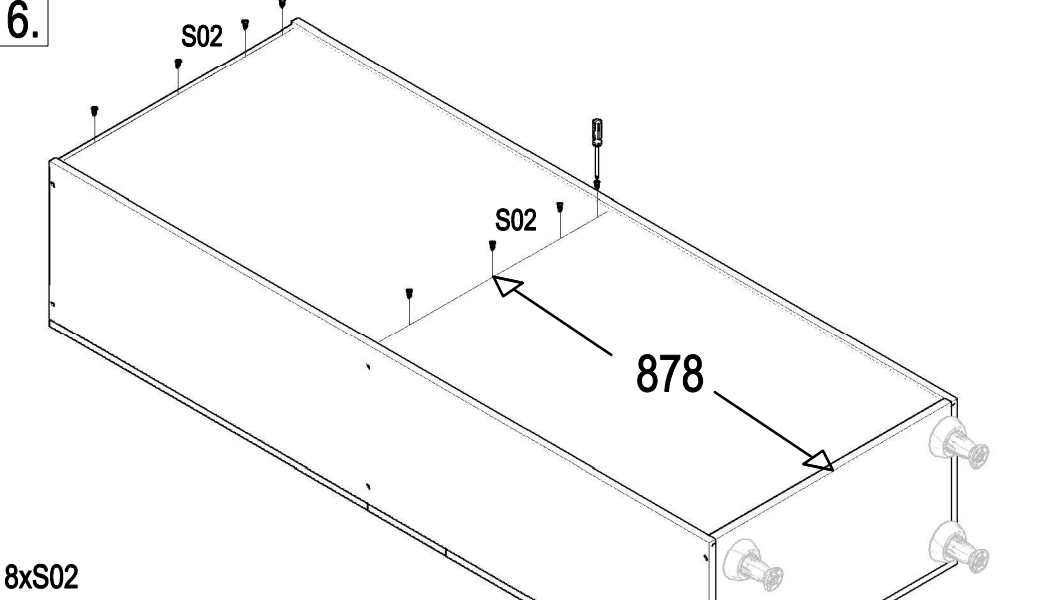




1xG02a
12xC01
8xS21
4xS02



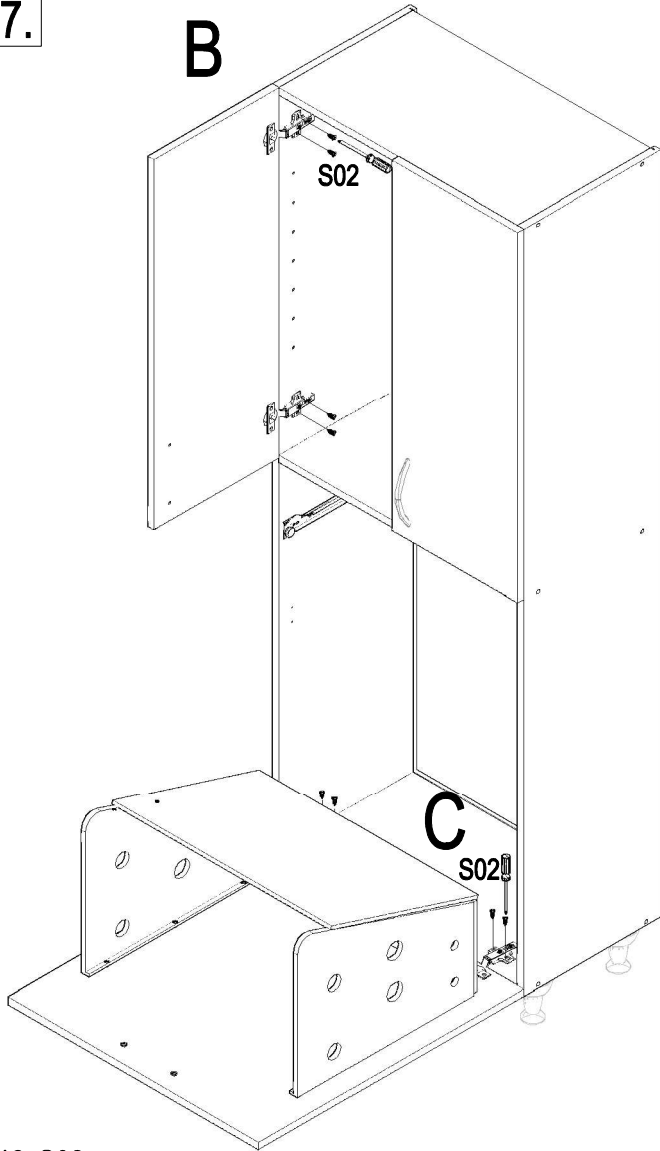
1xD01
12xS01
16xS02
4xP01



8xS02

7.

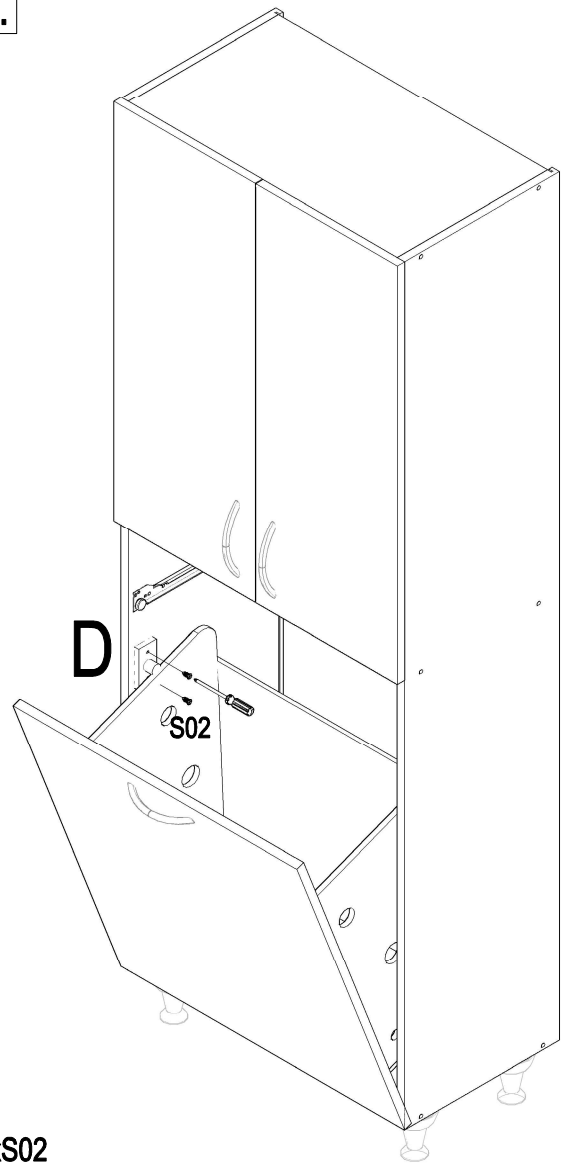
B



12xS02

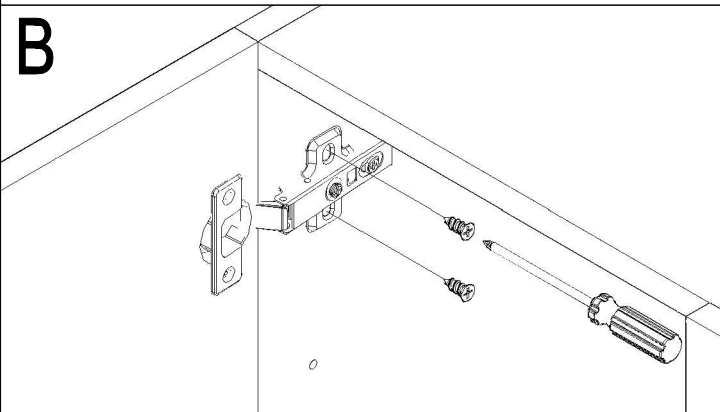
8.

D

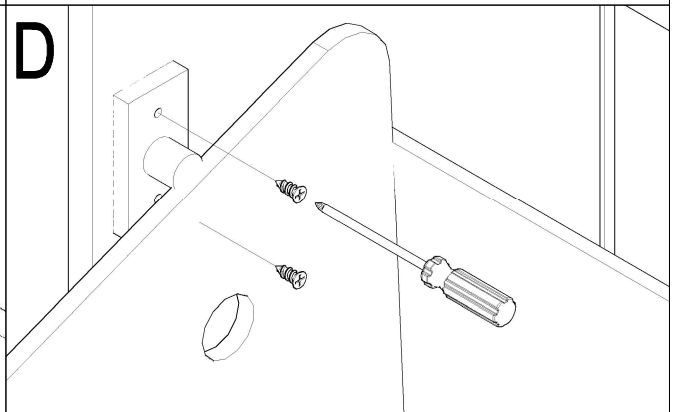


2xS02

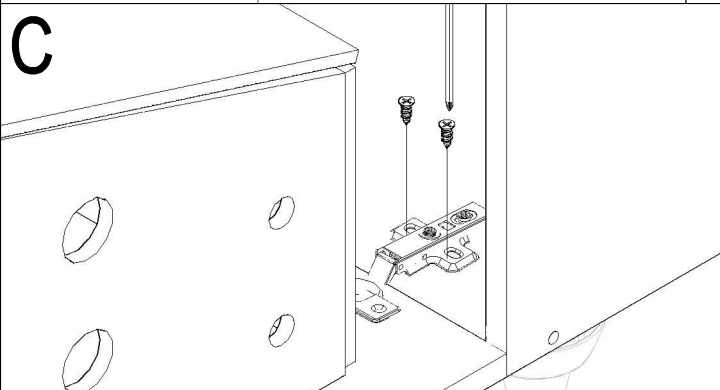
B

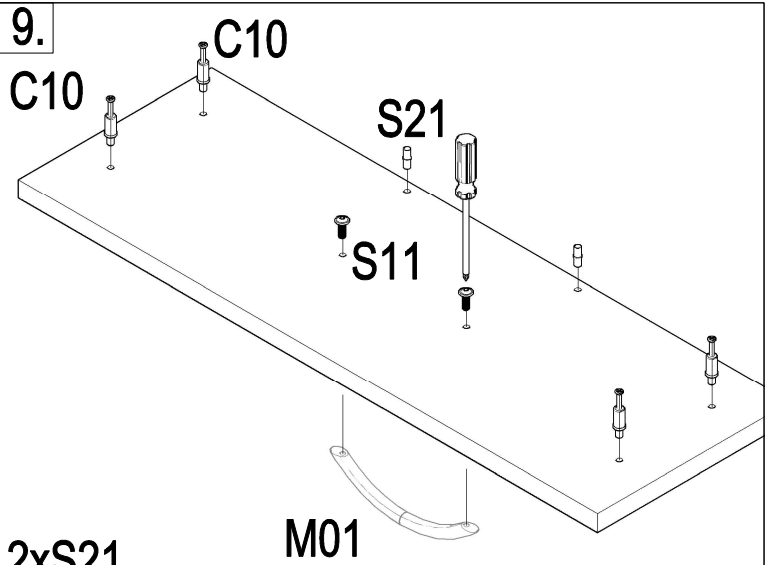
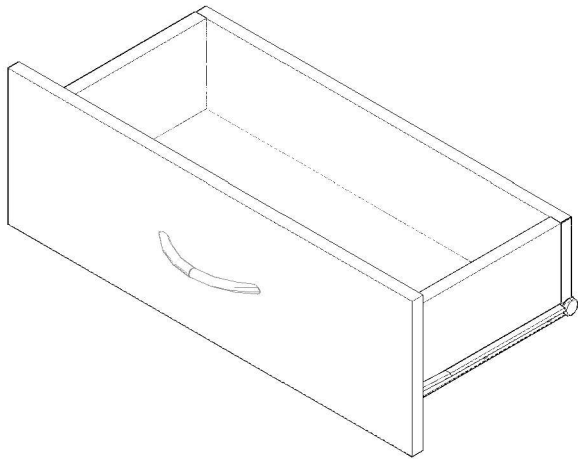


D



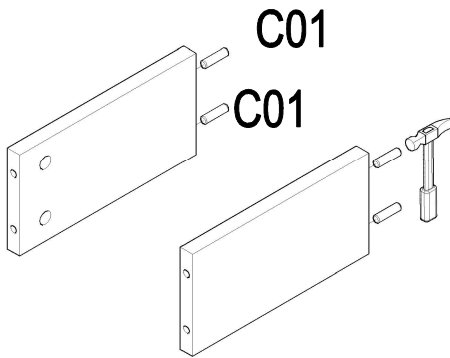
C



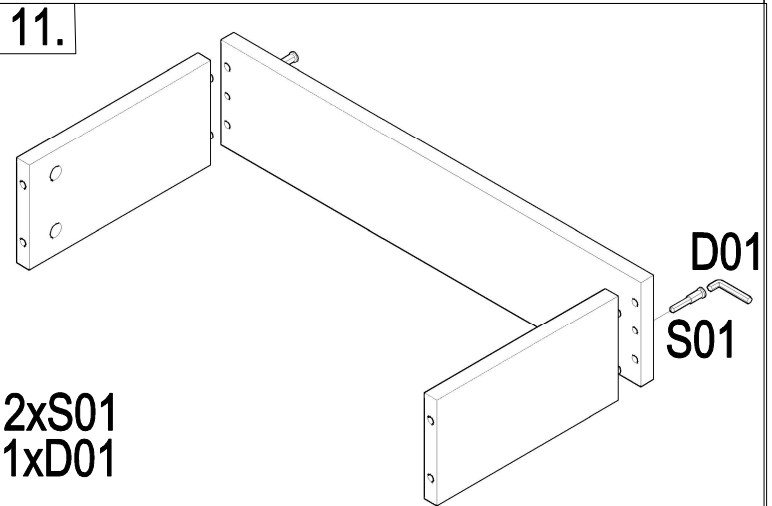


2xS21
2xS11
4xC10
1xM01

10.

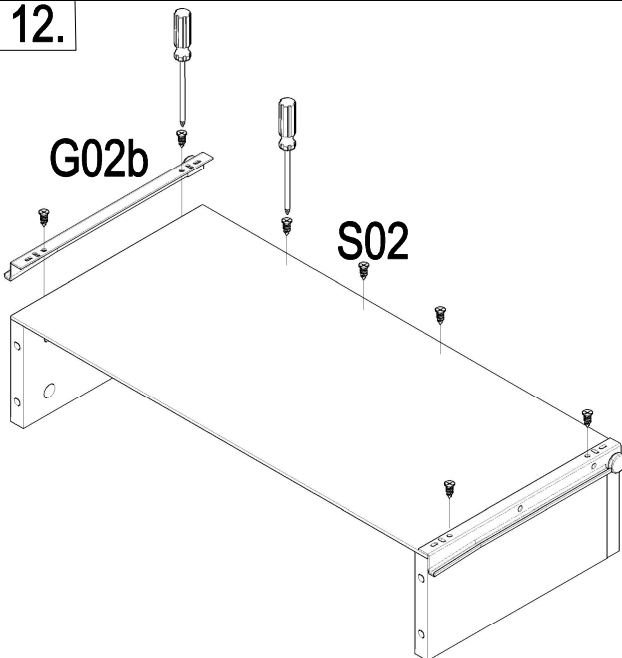


4xC01

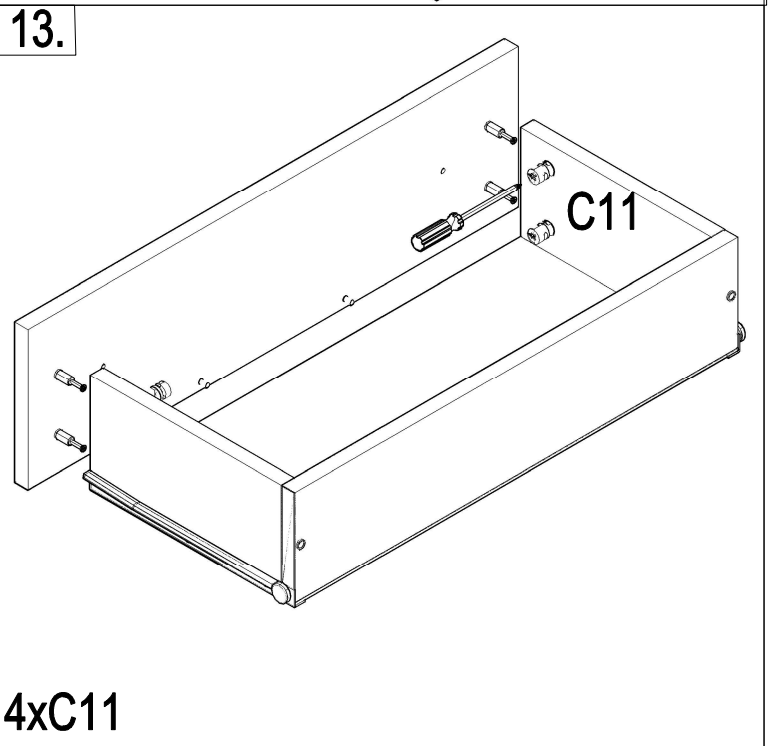


2xS01
1xD01

12.



2xG02b
7xS02



4xC11